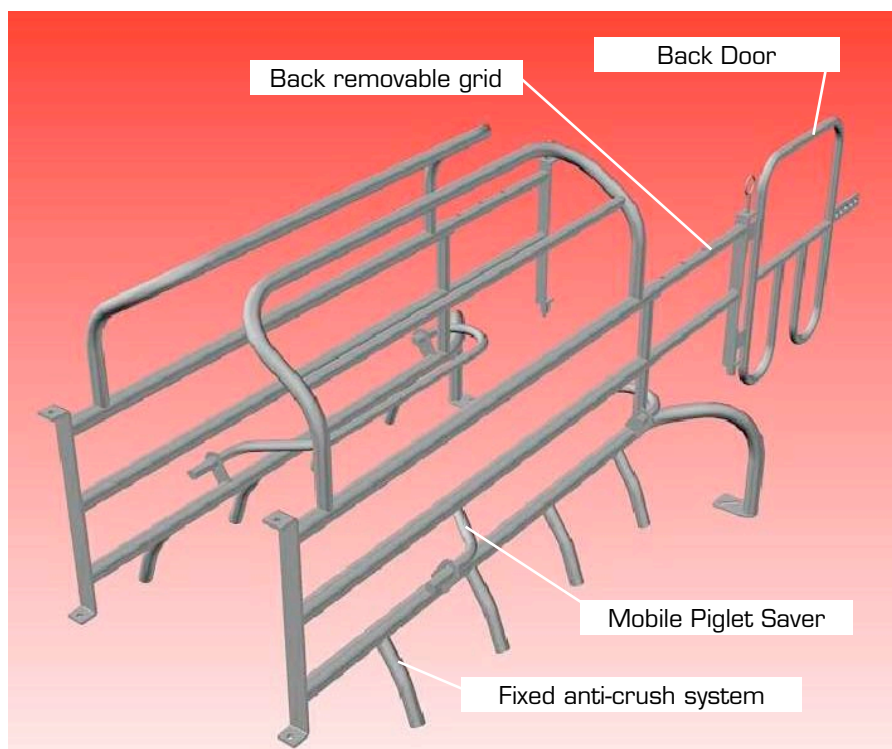




FARROWING ADJUSTABLE COMPACT CAGE

Launched in the 90 years, our farrowing adjustable cage represents nowadays a guarantee in the swine breeding sector. Object of some structural changes in the course of last years, the frame of the cage offers many different adjusting systems. It consists of two flanks that are adjustable in width and length. It is provided like all our models with two anti-crush systems for the piglets. The fixed system, represented by lower appendixes in bent pipe with variable number according to the length of the cage. The mobile system consisting of the known " piglets saver", a revolving profiled pipe that protect the piglets during the posture changings of the sow. To meet the needs of having a cage adaptable to the body of the first time mothers and to the longest races according to actual genetics, the flanks are equipped with telescopic elements that allow the extension up to 40 cm.



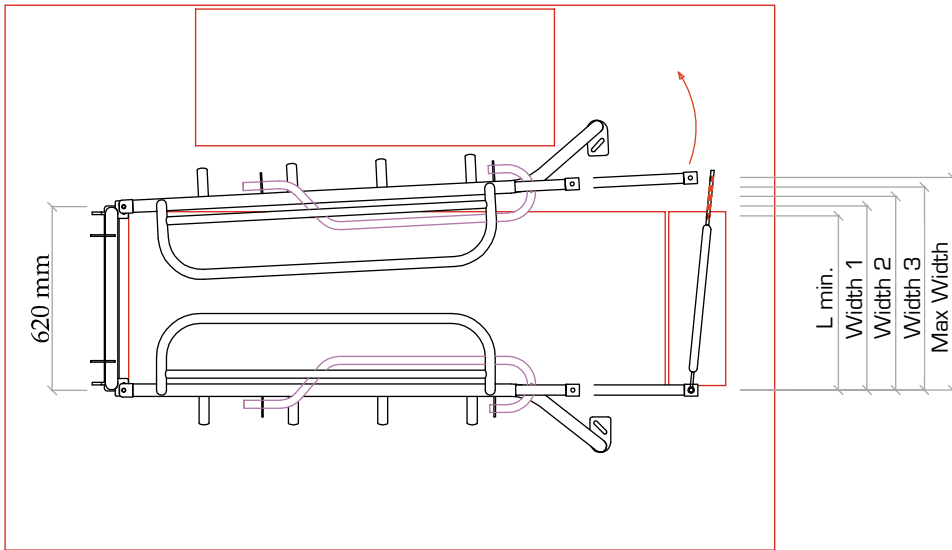
The flanks of the compact cage can be delivered either in the galvanized version or in stainless steel AISI 304; both typologies are adaptable with the two models of arch front arch.

- Galvanized, that sustains the two flanks and the chosen feeder.
- In stainless steel, that besides the two structural allows the income of water under pressure making our exclusive hidden drinking system.

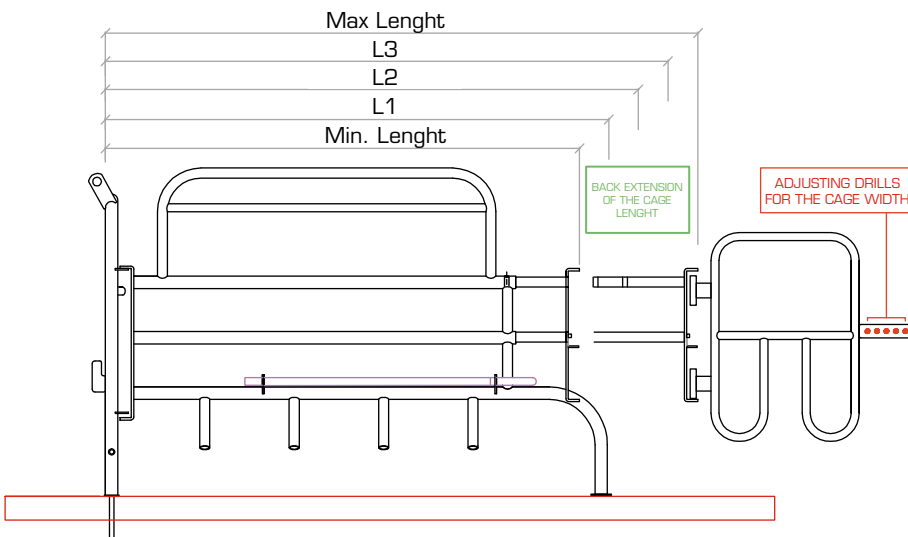


EVOTECK

FARROWING ADJUSTABLE COMPACT CAGE



Cage width	
Min. Width	576 mm
L 1	608 mm
L 2	640 mm
L 3	672 mm
Max Width	706 mm



Cage Length	
Min. Length	1600 mm
L 1	1700 mm
L 2	1800 mm
L 3	1900 mm
Max Length	2000 mm



The typologies of Evotek Feeders for farrowing cages:

- Fixed galvanized feeder
- Stainless steel galvanized feeder
- Galvanized revolving feeder
- Stainless steel semi-revolving feeder for cleaning
- Galvanized semi-revolving feeder for cleaning

All versions can have the bowl feeder in polyethylene or stainless steel.



Manufactured by Evotek Srl
 Evotek s.r.l.
 Via S. Pietro 3
 26030 Gabbioneta Binanuova (Cr)
 Tel.: +39 0372 84 30 54
 Fax: +39 0372 84 30 53
 P. iva 06508010961

www.evotek.it

