

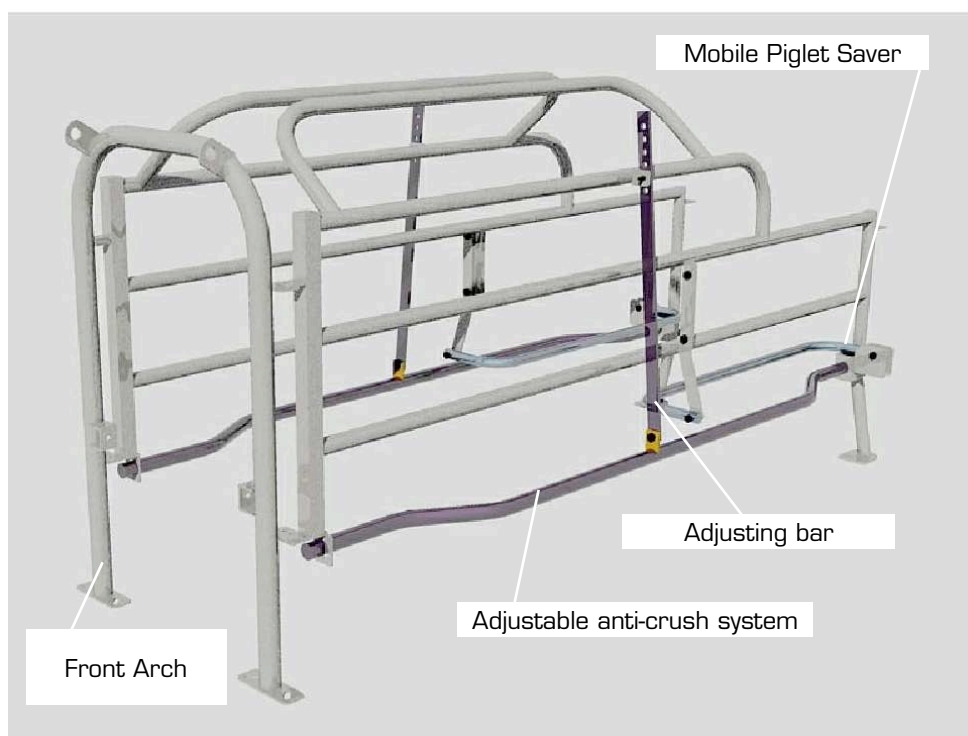
EVOTECK

Costruzioni integrate

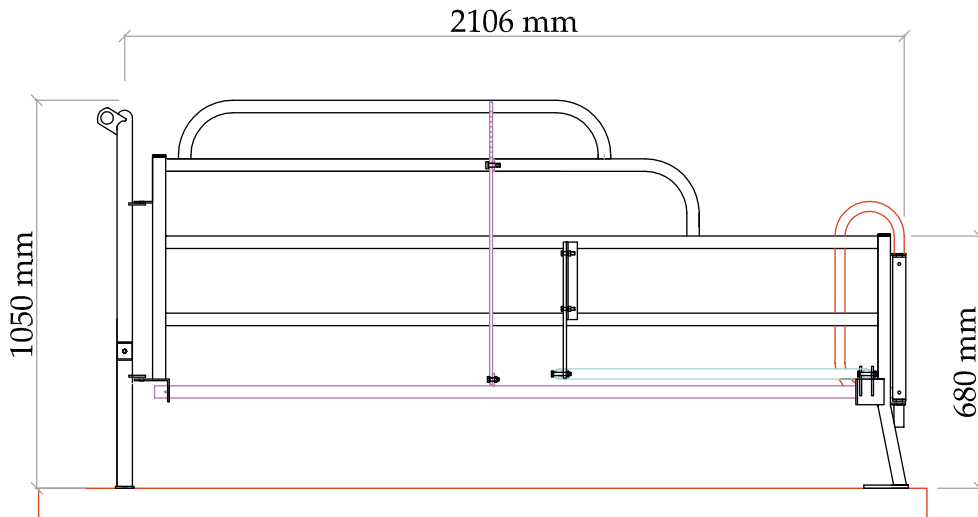
FARROWING CAGE PLEVEN

The farrowing cage Pleven distinguishes itself from the other ones of the Evotek range because it is equipped with two anti - crush system that can be adjusted. One lower anti - crush pipe, consisting of a 1" galvanized adjustable, bent, pipe. The adjustable bar of the system, allows up to 6 points of adjustment. One back piglets safety pipe consisting of a 3/4" inch pipe that is bent and could be moved. It constrains the movement of the sow in the descending phase.

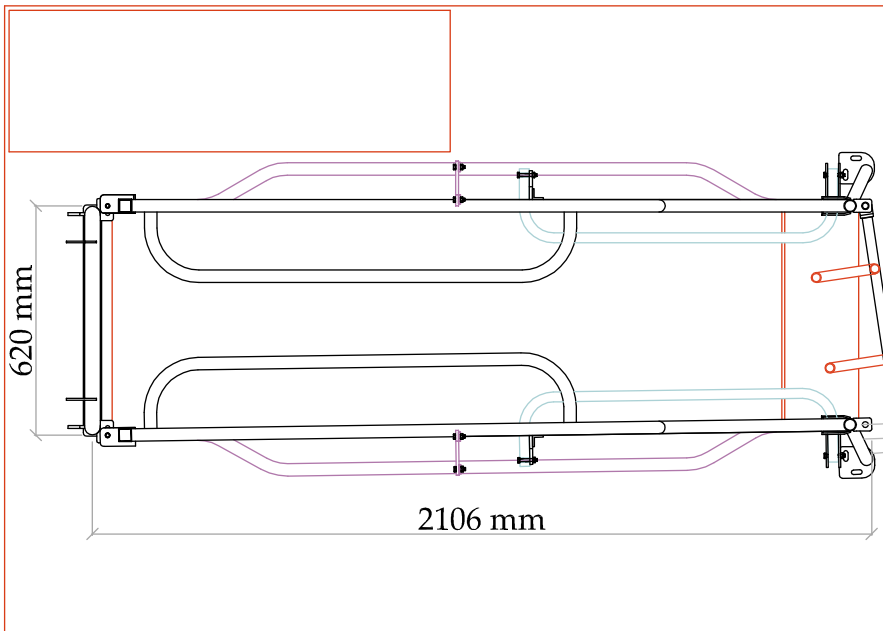
Frontal supporting arch: consisting of a stainless steel or galvanized pipe of 1" 1/4 with the function of sustaining the two flanks and containing water under pressure for our exclusive hidden drinking system.



FARROWING CAGE PLEVEN



Cage Width	
Lar. Min.	580 mm
L 1	615 mm
Lar. Max	660 mm



Overturnable feeder: It is in the version galvanized or stainless steel, the frame allows the cleaning of the feeder with the presence of the sow in the cage.



The bowl could be in Polyethylene of great thickness in the most economical version, or completely in stainless steel AISI 304.



Manufactured by Evotek S.r.l.
 Evotek s.r.l.
 Via S. Pietro 3
 26030 Gabbioneta Binanuova (Cr)
 Tel.: +39 0372 84 30 54
 Fax: +39 0372 84 30 53
 P. iva 06508010961

www.evotek.it

